

LEDRHYTHM

LED
PRECISE, HIGH-OUTPUT LIGHTING

Slim III

LED FLOOD LIGHTING

100W, 200W, 300W, 400W

- Intelligent control
- Operating Temp : -30°C to + 40 °C
- 0/1-10V Dimming Optional
- Expected Life over 50,000 Hours
- High-strength extruded aluminum alloy housing
- Famous brand drivers and chips

PROJECT

CATALOG #

TYPE



POWER

Available in 100W, 200W,
300W, 400W Configurations

PRECISION

High Chip Density for
Increased Uniformity

ENGINEERING

Die Cast Aluminum

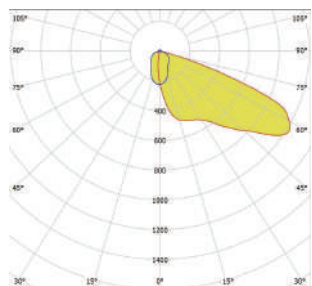
ORDERING INFORMATION

SERIES	WATTS	CCT	OPTICS	INPUT PWR	Protection	Housing Material	DIMMING	FIELDS APPLICATION
Slim III	100W	3000K	40*70	120-277V	IP66	Die Cast Aluminum	0-10V Dimmable	Industrial Halls Cold storage Parking lot Stadium
	200W	4000K	50*40	277-480VAC				
	300W	5000K	30*40					
	400W	5700K	TYPE III					

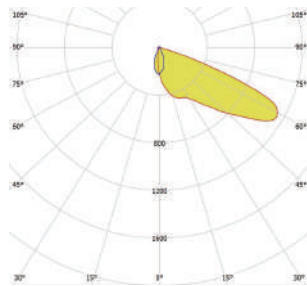
NOTES

- 70 CRI Standard
- Custom RAL Colors Require Additional Costs & Lead Times
- UL, FL & DL Options not DLC QPL Listed
- CM Mounting Standard

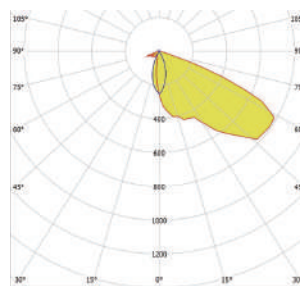
Distribution Types



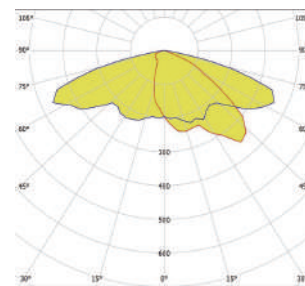
40*70



50*40



30*40



TYPE III

Due to continuous improvement and innovation, product appearance and specifications may change without notice. Actual performance may differ as a result of end-user environment and application.

Slim III

LED FLOOD LIGHTING

SPECIFICATIONS

- Expected Life** | Over 50,000 hrs.
- Rating** | IP66
- Color Rendering Index (CRI)** | >70
- Operating Temp** | -30°C – +40°C
- Relative Humidity** | 0-90% RH
- Power Factor** | ≥95%
- Input Voltage** | 120-277/277-480 VAC
- Input Frequency** | 50/60 Hz
- LED Chips** | Lumileds
- Driver** | 0/1-10V Optional
- LED Efficiency**
 - 3000K, 120 lm/w
 - 4000K, 130 lm/w
 - 5000K, 130 lm/w
 - 6500K, 120 lm/w
- Surge Protector** | 10kv

WARRANTIES

SEE WEBSITE FOR DETAILS

- Housing** | 5-Year
- LED** | 5-Year
- Driver** | 5-Year

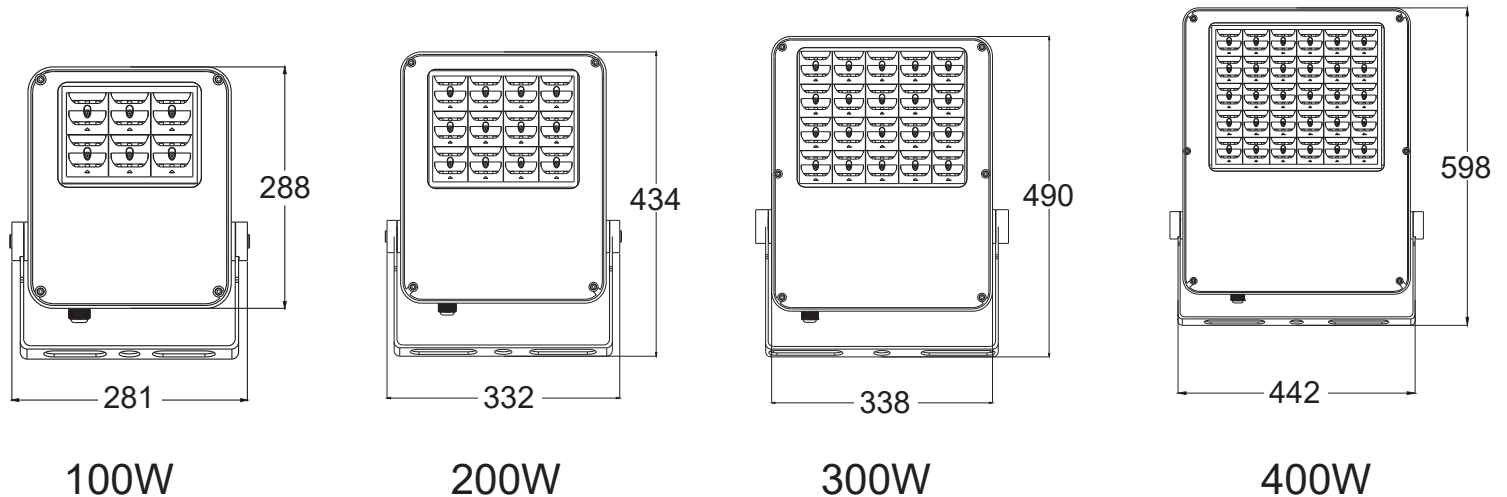
MATERIALS

- Housing** | Die Cast Aluminum
ADC12
- Gasketing** | Neoprene Rubber
- Hardware** | 18-8 Stainless Steel
- Finish** | Protective UV Stabilized Powder Coated
4000 Hour Salt Spray Tested to ASTM B117

LUMEN CHART

	3000K	4000K	5000K	5700K
100W	12000lm	13000lm	13000lm	12000lm
200W	24000lm	26000lm	26000lm	24000lm
300W	36000lm	39000lm	36000lm	39000lm
400W	48000lm	52000lm	48000lm	52000lm

PRODUCT SIZE



Due to continuous improvement and innovation, product appearance and specifications may change without notice. Actual performance may differ as a result of end-user environment and application.